

101

C O P E N H A G E N



Phantom Table, Low - Chrome

Designed by

Kristian Sofus Hansen &
Tommy Hyldahl

Phantom Table, Low - Chrome

Product Description

Characterized by its intentionally naive and handmade expression, the Phantom Table reveals its unique casting technique. The table appears at once fragile, delicate, and bulky in its form.

Styled individually, or combined -- with the low Phantom Table paired with the tall -- the polished chrome finish reflects its surroundings beautifully. Use it as a side table or coffee table to add light and a striking modern accent to the interior.

Made of cast aluminum with a polished chrome finish, the table has a shiny, mirror-like surface that offers a sleek and modern expression. A sophisticated yet subtle character defines the Phantom Tables, making them a versatile choice for any interior.

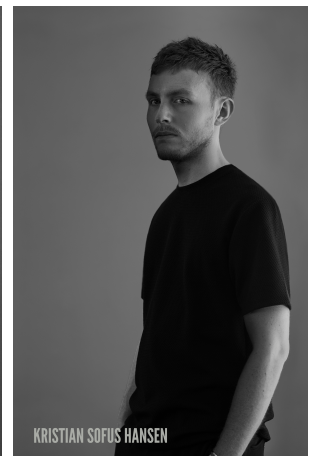
Designer Description

Tommy Hyldahl and Kristian Sofus Hansen intertwine their distinct sensibilities to create designs where storytelling, materiality, and timeless form meet in quiet harmony.

With a background in fashion, Tommy brings an intuitive eye for trends, colors, and textures. His process is one of layering histories, blending details and references from past design periods and reimagining them into something fresh and contemporary. Each collection unfolds as a narrative, evolving from concept to creation, with every element contributing to a greater story.

Kristian, who has lived and studied in Japan, seeks to unite Japanese aesthetics with Danish design, creating a characteristic twist on simplicity itself. His work is defined by the search for subtle, original details that elevate each piece with a unique signature. Drawing inspiration from art and sculpture, his creative process unfolds in new and exciting ways, always striving to craft designs that are both functional and timeless.

Together, they craft design that transcends time, poetic yet practical, expressive yet enduring.



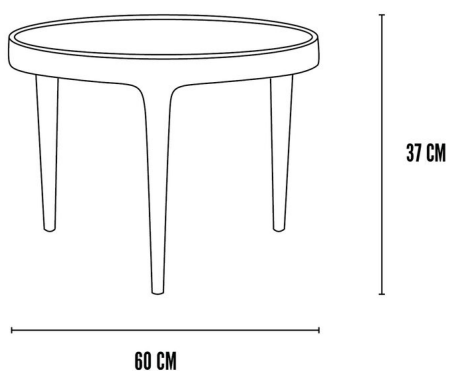
Phantom Table, Low - Chrome

Main

SKU	243019	Product Family	Phantom
Product name	Phantom Table, Low - Chrome	Color	Chrome
Product Type	Coffee Table	Size	Low
		Unit	Piece

Logistics

EAN number	4251501411710	Package - CBM	0.136
Package height in cm	44.00	Package - Weight KG	8.350
Package width in cm	55.00	Tariff Code No	9403208000
Package length in cm	56.00	Country of origin	China
Suitable for Courier	Yes	Quantity of Inner Boxes	1



Phantom Table, Low - Chrome

Product

Materials	Chrome (Cr III) Plated Aluminium	Net weight in kg	7
Item Height in cm	35.00	Space Suitability	Indoor
Item width in cm	50.00	Strength Test	N/A
Item length in cm	50.00	FSC Wood	N/A

Upholstery

Fabric		Cigarette Test - CAL-117
Martindale	N/A	Cigarette Test - EN 1021-1
Colour Fastness to Light		Cigarette Test - BS5852 Part 1
Pilling		Match Flame Test - EN 1021-2
Oeko Tex		Ignition Source 5 (Crib 5) - BS 5852 Part 2
Fire Test Foam	N/A	NF P92-507 - Class M1

Phantom Table, Low - Chrome

Family Description Text

The Phantom Series embodies a quiet tension between fragility and strength, delicacy and presence. Its intentionally naïve, handmade expression reveals the beauty of imperfection, capturing the fleeting poetry of form through a unique casting technique. Each piece feels sculptural yet understated, fragile in spirit yet monumental in its stance, a presence that lingers like a shadow, subtle but unforgettable.

The Phantom Table is a study in contrasts, at once raw and refined, ephemeral and enduring. Its surface carries the traces of craft, whispering of the hand that shaped it while reflecting the timeless dialogue between material and imagination. At the same time, it is an exploration of atmosphere, an object that inhabits a space with quiet strength, inviting reflection and reverie.

Versatile and iconic, the Phantom Table stands as a true celebration of material, craft, and form, resonating with a beauty that is both subtle and profound.

Color Description

Chrome is a sleek, mirror-like silver with liquid clarity, polished to brilliance. It reflects its surroundings with sharp precision, evoking the clarity of liquid metal. Luminous and sophisticated, this finish embodies modernist purity and serves as both a striking highlight and a refined counterbalance to textured tones.

Phantom Table, Low - Chrome

Maintenance Guide Description

Chrome (Cr III) plated aluminium combines lightweight strength with a mirror-like reflective finish. To preserve its brilliance, clean regularly with a soft, dry cloth. For deeper cleaning, use a damp cloth with mild, pH-neutral soap, then dry immediately to prevent water spots or streaks.

Avoid abrasive sponges, pads, or powders, which can scratch the plated surface, as well as harsh chemicals such as bleach or ammonia, which may dull or damage the finish. Always use felt pads, mats, or coasters where surfaces may come into contact with objects to protect against scratches or marks.

With mindful care, chrome (Cr III) plated aluminium will retain its crisp clarity and refined presence for many years.

Materials Description

The chrome finish combines technical precision with modernist clarity. Using Decorative Trivalent Chrome Plating (Cr III) on aluminium, the surface is polished to a mirrored brilliance that reflects its surroundings with sharp precision. Sleek and striking, it serves as a counterbalance to textured finishes, capturing light and form like liquid metal while embodying the clean lines of contemporary design.